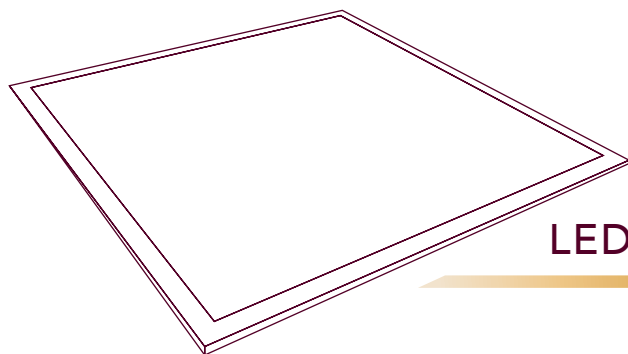




PANEL



LED PANEL BAKLITE CCT UGR ≤17 - IP40

PANEL 60x60

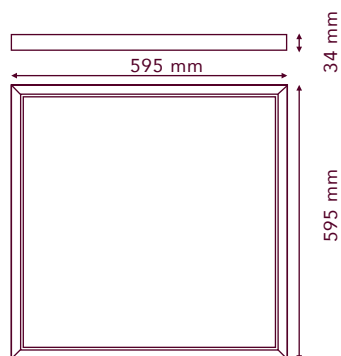
40 W

Codice: A40BP1710

Fascio luminoso: 120°

Lumen: 5200

Durata: 50000



SELECTIVE
COLOUR
TEMPERATURE



	CODE	A40BP1710
CCT	Color temperature	3000K - 4000K - 6000K
LM	Lumen	5200
W	Rated power	40W
AC-V	Input Voltage	AC175-265V
°	Beam angle	120°
Lm/W	Luminous efficiency	130
IP	Rating	IP40
CRI	Chromatic rendition index	82
mm	Misure	595x595x34mm
PF	Power factor	0.92
m	Construction material	Aluminium + PC
D	Driver included	YES
ERa.	Energy rating	A+
Hz	Frequency	50/60Hz
On/Off	Cycles	100.000
SMD	Type of Leds	2835 Sanan
H	Life expectancy	50.000
°C	Temperature range	-20°C / +55°C
Y	Warranty years	3
Pz	Confezioni	10
€	Prezzo	73,90